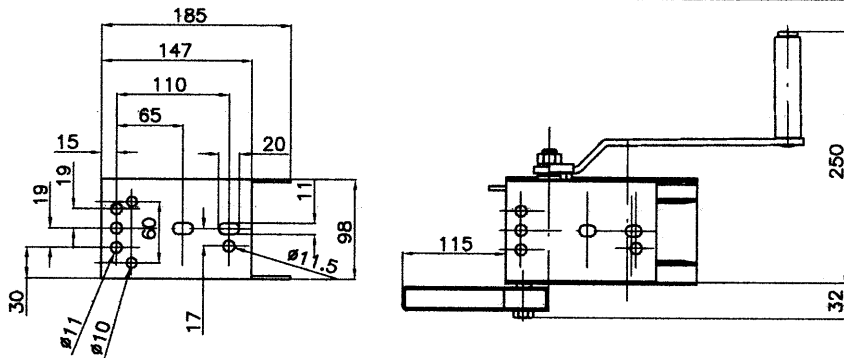


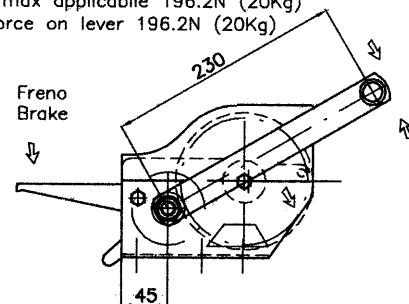
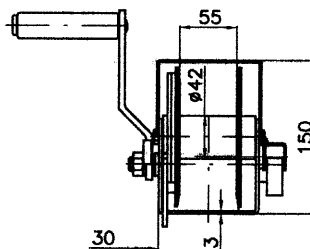
CODICE : 750.230.01P

Rapporto riduzione 1:4
Trazione 6867N (700 Kg)

Riduction ratio 1:4
Traction 6867N (700 Kg)



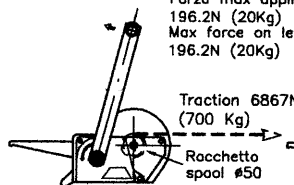
Forza max applicabile 196.2N (20Kg)
Max force on lever 196.2N (20Kg)



Freno
Brake

Forza max applicabile
196.2N (20Kg)
Max force on lever
196.2N (20Kg)

Traction 6867N
(700 Kg)



Forza max applicabile
196.2N (20Kg)
Max force on lever
196.2N (20Kg)

Traction 3433.5N
(350 Kg)

